



At Home In Any Environment

Customer Service: (702) 361-4345, (800) 525-2655, customer.service@kalco.com

**Assembly & Installation Instructions for:
Cirrus5096**

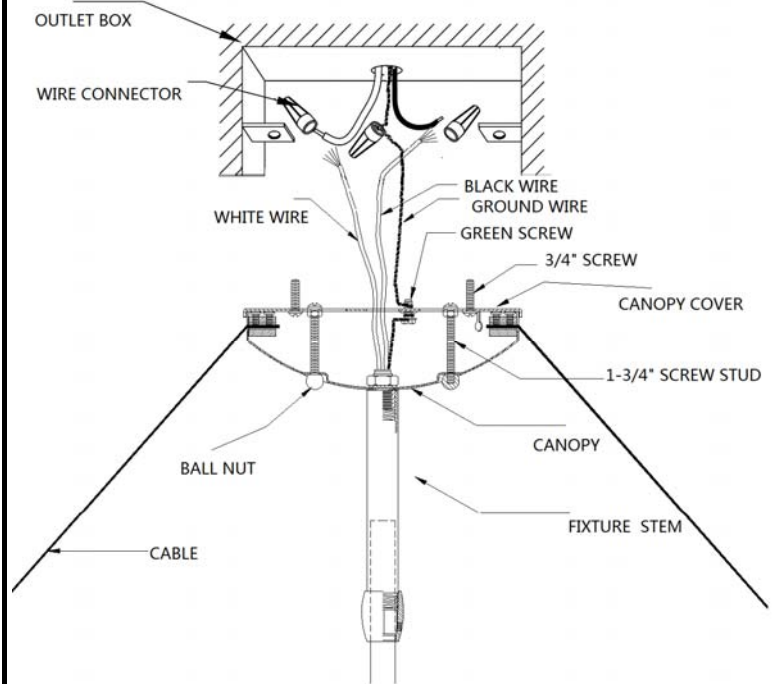


WARNING - TO REDUCE THE RISK OF FIRE OR INJURY:

1. If you are unfamiliar with electrical wiring, call a qualified electrician to install this unit. More than one person may be necessary. To install fixture, make sure you have enough qualified help.
2. Turn off the power to the fixture's circuit at the service panel. Use a voltage detector to verify that the power is off.
3. DO NOT install bulb which exceeds the maximum wattage specified on the socket label.

Mount the Fixture to the Electrical Box

- Step 1.** Fasten (2) x 1-3/4" screw studs into canopy cover
- Step 2.** Connect bare ground wire from fixture to ground wire from outlet box with wire connectors
- Step 3.** Attach canopy cover to outlet box with (2) x 3/4" screw.
- Step 4.** Connect wires. (See Step 5)





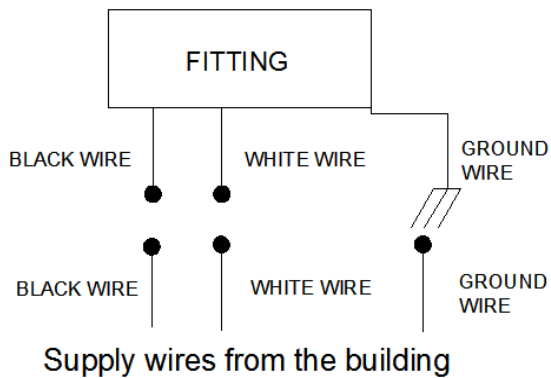
At Home In Any Environment

Assembly & Installation Instructions for: Cirrus5096

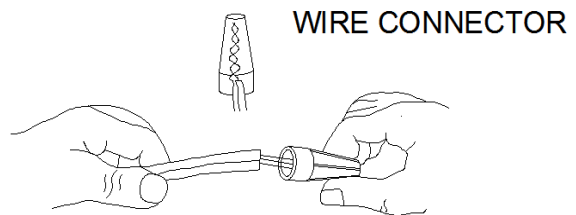
Fixture Wiring

Step 5. Please refer to wiring diagram to the right and below to connect wires

WIRING DIAGRAM 1



WIRING DIAGRAM 2



Step 6. Carefully tuck in all wires and raise the canopy to the outlet box.

Step 7. Position canopy up to cover outlet box and secure ball nuts to the 1-3/4" screw studs

Fixture Assembly

Step 8. Adjust Stem to desired length (Take care of below NOTE). Then fasten the clutch using hex screw. Make sure the distance from bulb top head to glass will be no less than 1/2"

Step 9. Make adjustment to cable if needed. keep at least 1/2" cable inside of canopy.

Step 10. Glass and cables are labeled with matching numbers, see the detail drawing.

Step 11. Assemble the smallest glass first(Glass 1) using the cable 1, slip a cushion over threaded ends of the 4 cables and pass through holes in Glass 1, then slip cushions over cable ends on other side of glass 1 and secure finial tight with ball nuts

Step 12. Repeat step 11 for the remaining glass (2), (3) and (4).

Step 13. After all the glass are installed, add the light bulbs in accordance with the fixture's specifications. (DO NOT EXCEED THE MAXIMUM WATTAGE RATING!)

Note: The adjustable height range of the fixture: Max. Height 21 inch, Min. Height 18 inch

